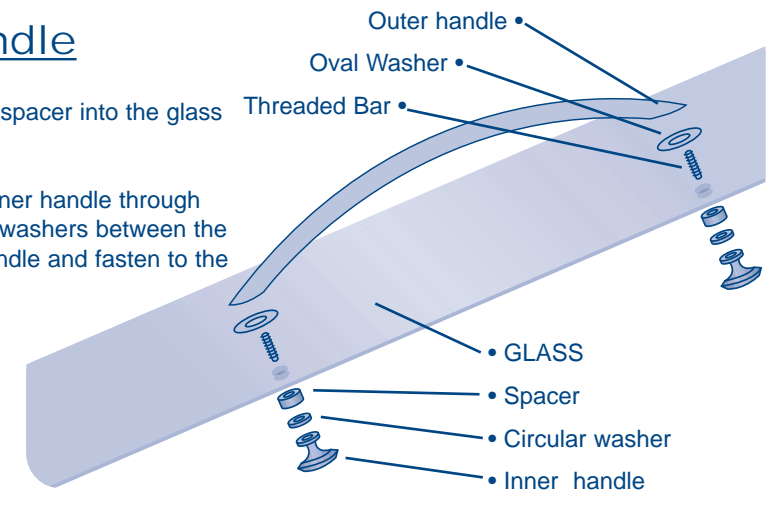


4

### Fix Handle

- Place plastic spacer into the glass hole.
- Next place inner handle through spacers with washers between the glass and handle and fasten to the outer handle.

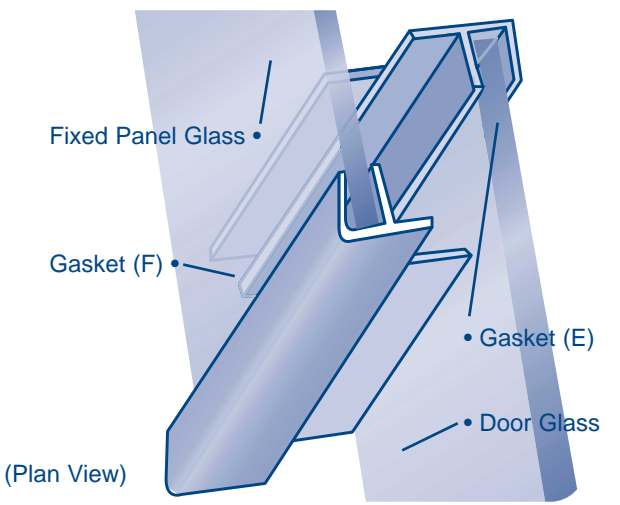


Do not forget the spacers or washers!

5

### Add Gaskets

- Place one gasket (E) on door glass with the fin pointing toward the fixed panel glass.
- Place the other gasket (F) on the fixed panel with the fin pointing towards the door glass.



6

### Water Proofing

- Silicone Seal
- Seal the outside edge of the shower with suitable bathroom silicone all around the shower tray and the joining between the wall brackets (A) and the tiled wall. Allow to set for a minimum of 24 hours before using the shower.



# CHIANTI CORNER ENTRY

## chianti

*do it with flair*

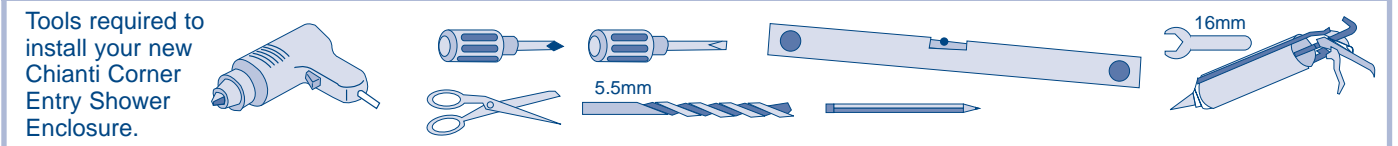
## Instructions








**BEFORE YOU INSTALL YOUR CHIANTI CORNER ENTRY SHOWER ENCLOSURE PLEASE READ ALL INSTRUCTIONS. FAILURE TO DO SO MAY LEAD TO INVALIDATION OF YOUR WARRANTY**

- Your enclosure must always be fixed onto a sturdy tiled wall to ensure a waterproof shower.
- The shower tray must be fitted level, tiled in and sealed along it's entire wall length.
- The shower should be sealed using silicone sealant, vertically and horizontally, on the outside only.

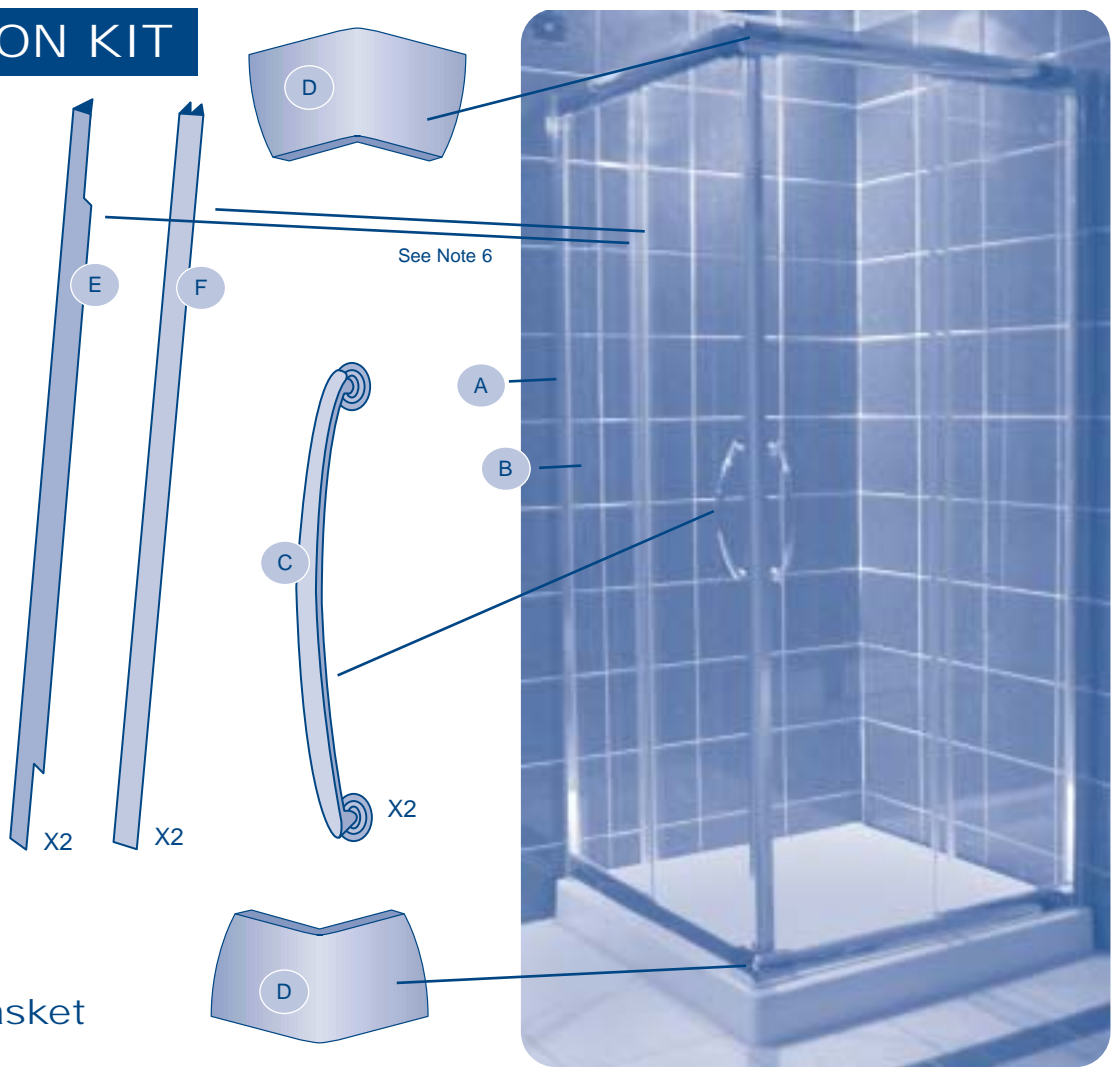
Warning: Check walls for electric cabling or water pipes before drilling.



# INSTALLATION KIT

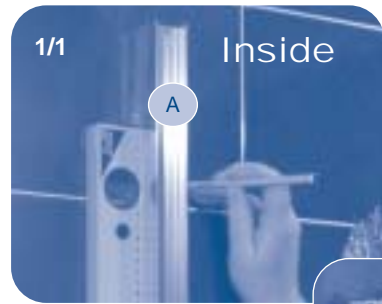
-  X6 (M4x12mm)
-  X4 (M5x20mm)
-  X12 Caps
-  X6 Plugs
-  X6 (M4x40mm)

- A. Wall Brackets
- B. Fixed Panel
- C. Handles
- D. Corner Blocks
- E. Door Gasket
- F. Fixed Panel Gasket



## 1 Fit Wall Bracket x 2

- Drill
- Plug
- Screw
- Fit wall brackets (A) 10mm in from the outside of the shower tray ensuring the profile is plumb. Mark each hole for position.



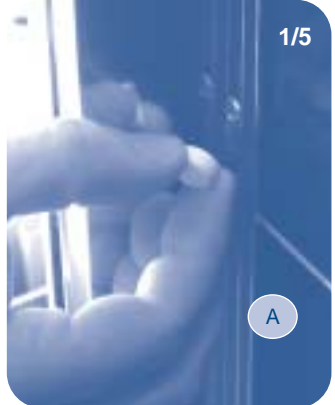
• Drill with a 5.5mm masonry drill bit.

• Insert wall plugs into drilled holes

- Insert M4 x 40mm screw x 6 into wall brackets and secure to wall.



• Snap screw head cover on all screws



## 2 Secure Fixed Panel

- Position
- Join
- Screw

• Carefully slide fixed panel with door (B) fully into fixed wall bracket (A)

Note: At this point the product is not stable.

- Slide both fixed panels and secure corner blocks before leaving product.



- Clip corner block (D) into place at top and bottom.
- Secure with M5 x 20mm countersunk screws top and bottom.

Note: With corner blocks attached, when fitting either the 80 or 90cm product do not exceed the overall tray length.

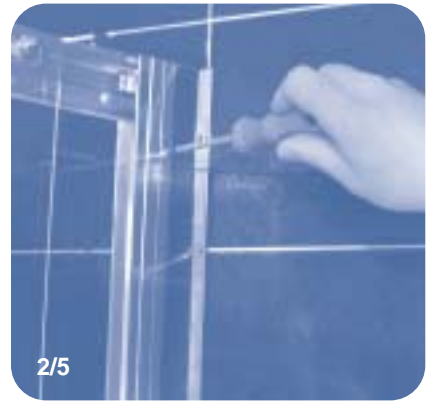
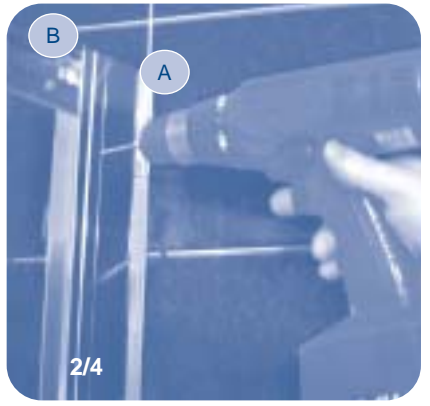


- Adjust position of fixed panels to form an even gap between the tray edge and the bottom of the fixed panels

• Secure with M4 x 12mm.

- Snap screw head covers on top and bottom.

- Ensure fixed panels are plumb, drill through existing hole in fixed panels (B) into wall brackets (A) top and bottom.



## 3 Align Door

- Align
- Screw by hand

Note: In the event that the doors require realignment, proceed as follows.

- 3/1 With shower door in fully open position, unscrew cover.
- 3/2 Hold screw in position with flat head screwdriver and unlock back nut with spanner. Rotate wheel by turning screw to raise or lower door. When door is in correct position tighten nut with spanner while keeping screw in position with screwdriver.

Note: One or more wheels may need adjustment.

