

4 Secure Product to Wall

- Lift the shower onto the tray again and position wall brackets over the positions marked and drilled previously
- Insert M4 x 40mm x 3 screws into each wall bracket and secure to previously drilled wall.



- Ensure product is plumb within the wall brackets. Using the 3mm drill provided, drill through existing holes in wall brackets (A) into frame (B) top and bottom.

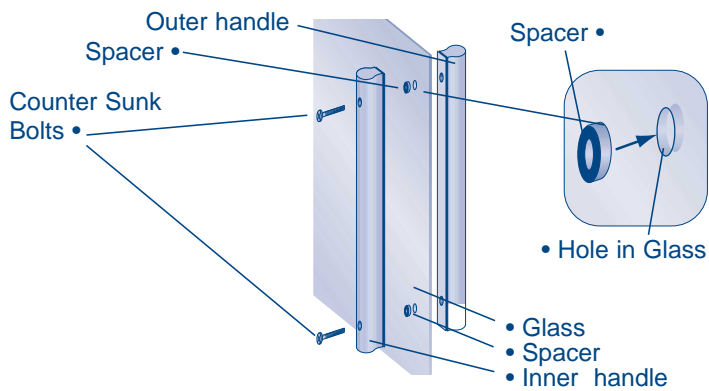


5 Fix Handle

- Fit the handle to the door as shown using the allen key provided



- Secure with M4 x 12mm x 3 .
- Snap screw head covers on top and bottom.



7 Water Proofing

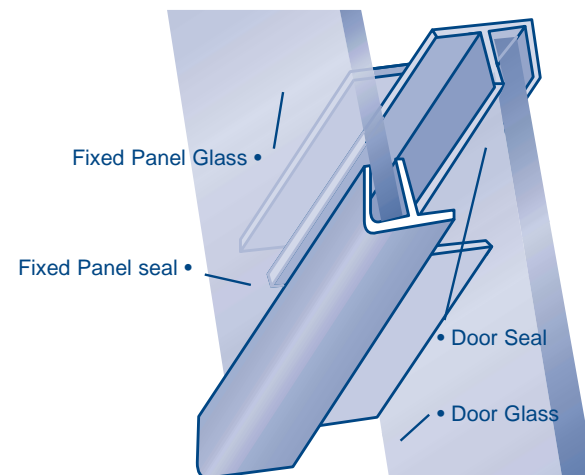
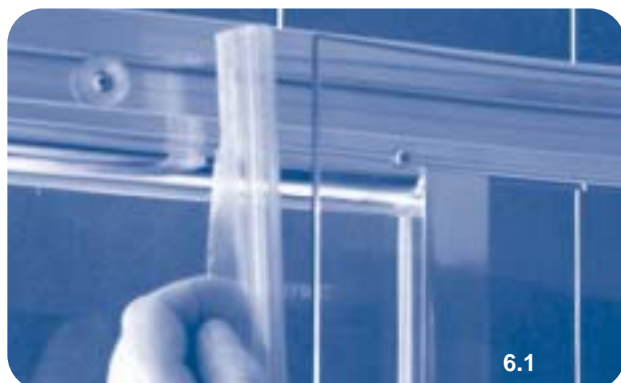
• Silicone Seal

- Seal the outside edge of the shower with suitable bathroom silicone all around the shower tray and the joining between the wall brackets (A) and the tiled wall. Allow to set for a minimum of 24 hours before using the shower.



6 Add Gaskets

- Place door seal (E) on back edge of door glass with the fin pointing toward the fixed panel glass. (Longer Seal)
- Place fixed frame seal (F) on the fixed panel with the fin pointing towards the door glass. (Shorter Seal)
- Place closing seal (G) on the front edge of the door. (Magnet)



CHIANTI ROUND QUADRANT

Instructions

chianti
do it with flair

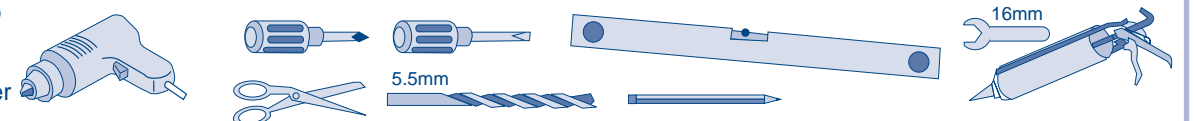
Note: Heavy Product - Requires 2 persons to assemble and fit.

BEFORE YOU INSTALL YOUR CHIANTI ROUND QUADRANT SHOWER ENCLOSURE PLEASE READ ALL INSTRUCTIONS. FAILURE TO DO SO MAY LEAD TO INVALIDATION OF YOUR WARRANTY








- Your enclosure must always be fixed onto a sturdy tiled wall to ensure a waterproof shower.
- The shower tray must be fitted level, tiled in and sealed along its entire wall length.
- The shower should be sealed using silicone sealant, vertically and horizontally on the outside only.

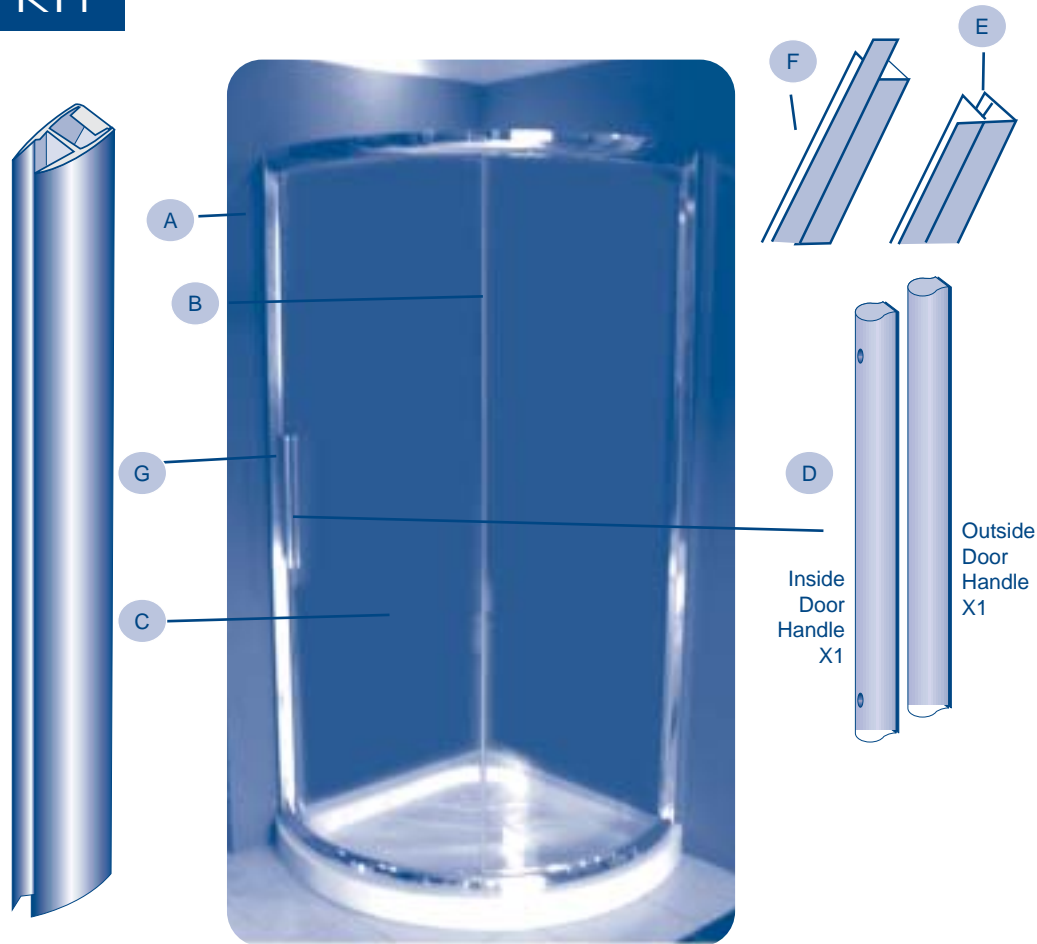
Warning: Check walls for electric cabling or water pipes before drilling.

Tools required to install your new Chianti Round Quadrant Shower Enclosure.



INSTALLATION KIT

-  x 8 (M4x 30mm)
-  x 6 (M4x12)
-  x 6 (M4x40mm)
-  x 8 (M5x16)
-  x6 Wall Plugs
-  x 12 Plastic Caps
-  x 2 Door Stops



- A. Wall Brackets
- B. Fixed Panel
- C. Door
- D. Door Handle
- E. Door seal
- F. Fixed panel seal
- G. Closing seal

1 Assemble Point

- Position
- Join
- Screw

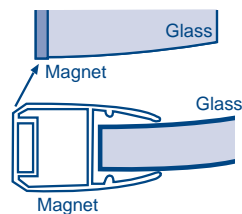


- Position Fixed Frame to the horizontal curved bars top and bottom. (Wheel tracks)
- Secure the Fixed Panel profiles with the M5 x 16mm x 4 screws top and bottom.



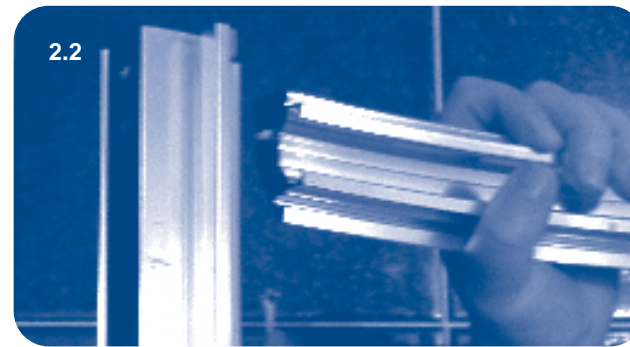
2 Secure Door

- Slide door (C) (with magnet facing outwards) into wheel tracks top and bottom towards fixed panel.
- Ensure holes for the handle on the door are on the opposite side to the fixed panel

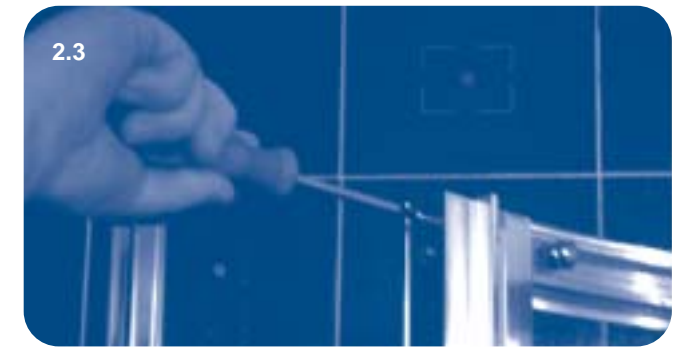


- Place magnet onto door (as shown) at handle side. Ensure magnet is pushed home, flush with door glass.

- Secure loose profile to top and bottom wheel tracks using M4x 40mm x4 screws.



- Brown magnet must be on inside of enclosure



3 Align Product to Wall

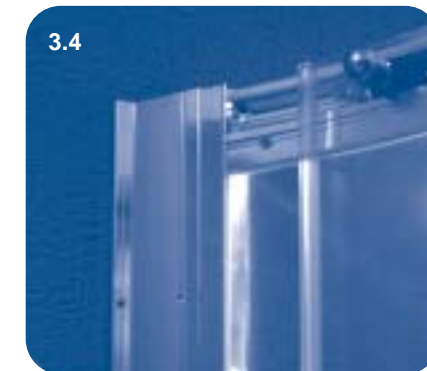
- Slide wall brackets onto vertical profiles of product. Keep the lip on the inside of the enclosure



- Align product onto tray.



- Ensure the product is plumb (Vertical)



- Mark the wall for drilling



- Drill with a 5.5mm masonry drill bit.
- If the wall is other than block/masonry, an alternative wall plug will be required. Drill to suit the wall plug being used.



- Insert wall plugs into drilled holes