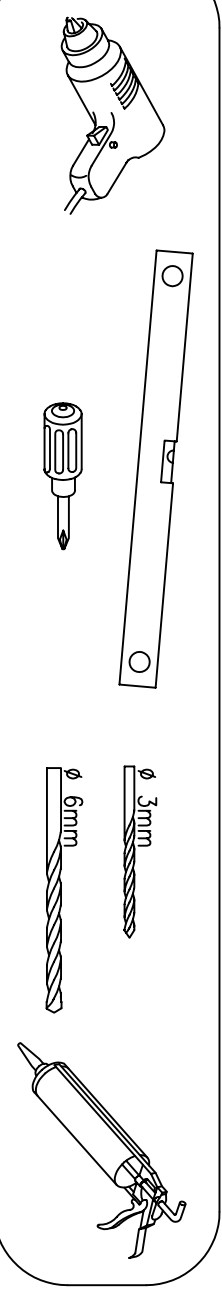
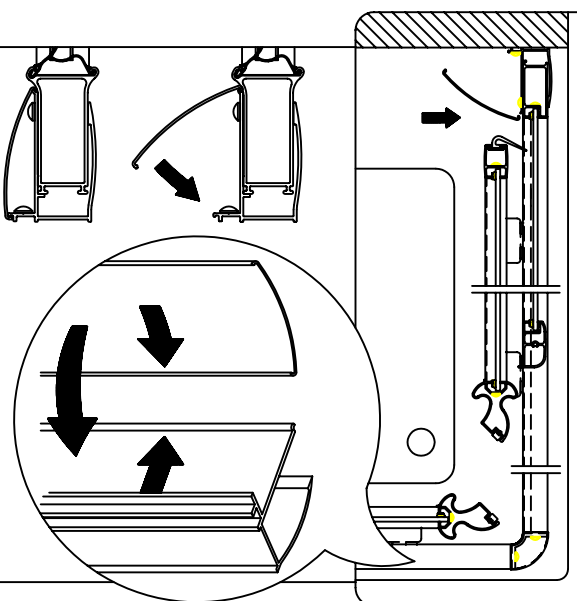


Corner Entry



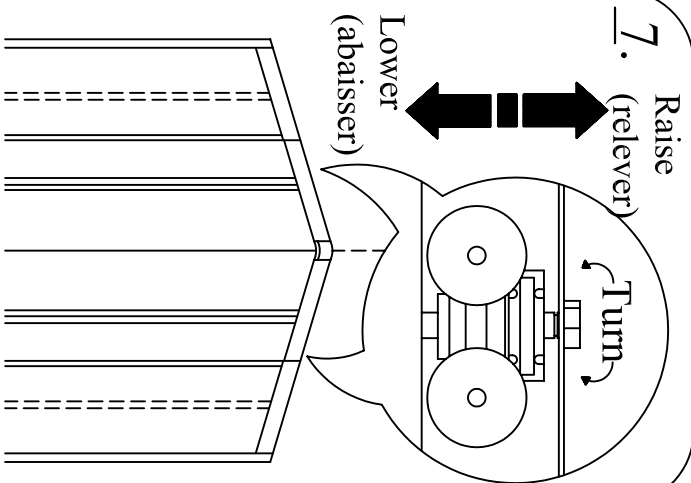
8.



Take the loose profile and line it up against the wall profile with the two arrows facing each other. Clip into place and hinge around towards the wall - push and snap into place.

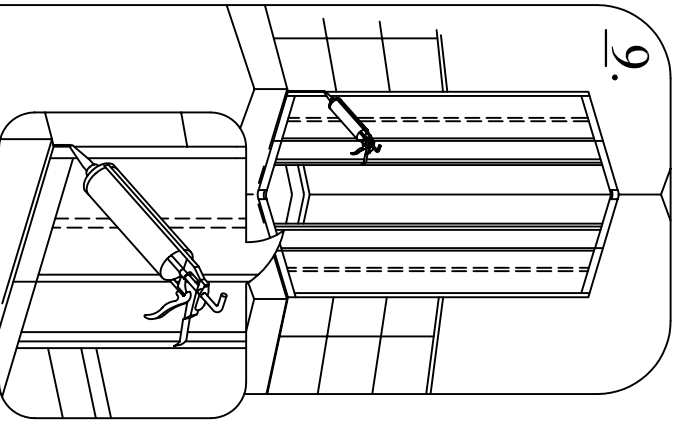
7. Raise (relever)

Lower (abaisser)



If the doors are failing to close properly - each wheel can be adjusted to raise or lower the doors using the spanner provided. See diagram above.

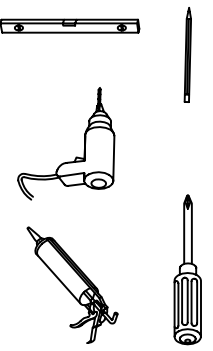
9.



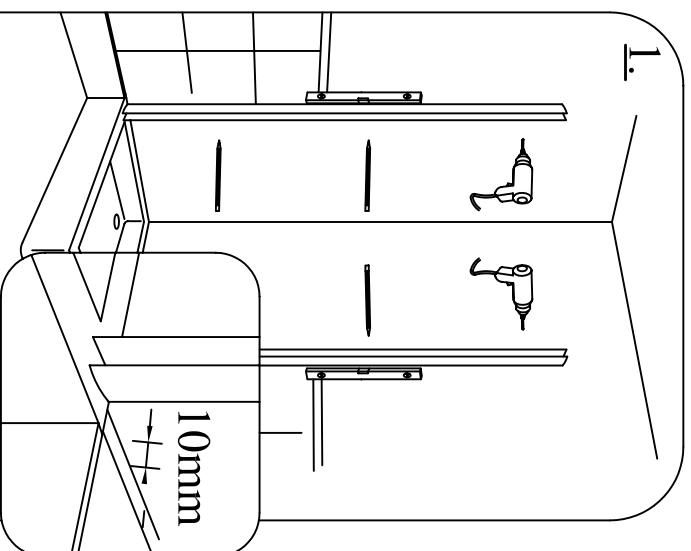
Finally seal the **OUTSIDE** of the shower all around with silicone and allow to set for 24 hours.

BEFORE YOU INSTALL YOUR CORNER ENTRY..

- YOUR ENCLOSURE MUST ALWAYS BE FIXED ONTO A TILED WALL TO ENSURE A WATERPROOF SHOWER.
- THE SHOWER TRAY MUST BE FITTED LEVEL, TILED IN AND SEALED ALONG ITS ENTIRE WALL LENGTH.
- THE SHOWER SHOULD BE SEALED USING SILICON SEALANT, VERTICALLY INSIDE AND OUT, AND HORIZONTALLY ON THE OUTSIDE ONLY. THIS ALLOWS ANY WATER TRAPPED INSIDE THE FRAME TO ESCAPE INTO THE TRAY.

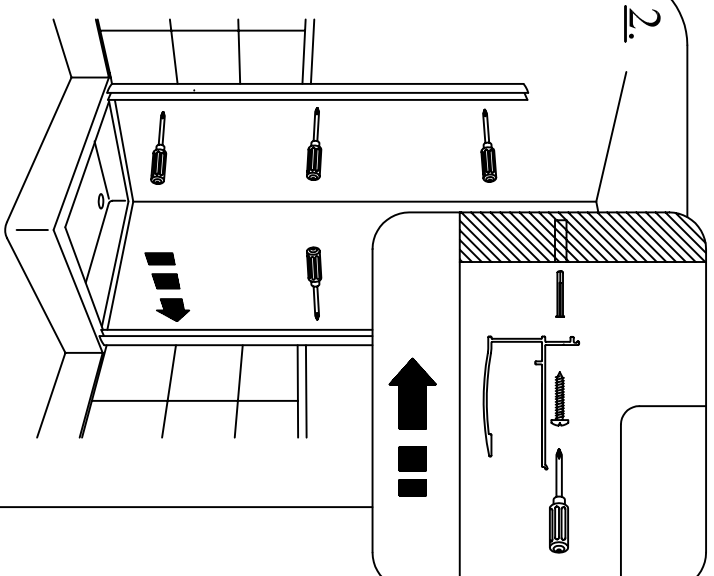


1.



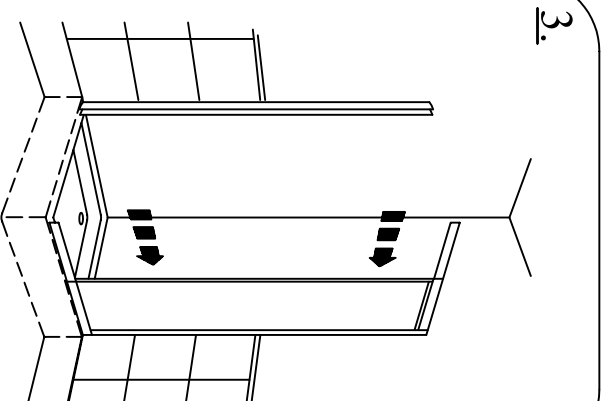
Fit wall profile 10mm in from outside of shower tray ensuring the profile is square. Mark each hole and drill with 5.5mm drill bit.

2.



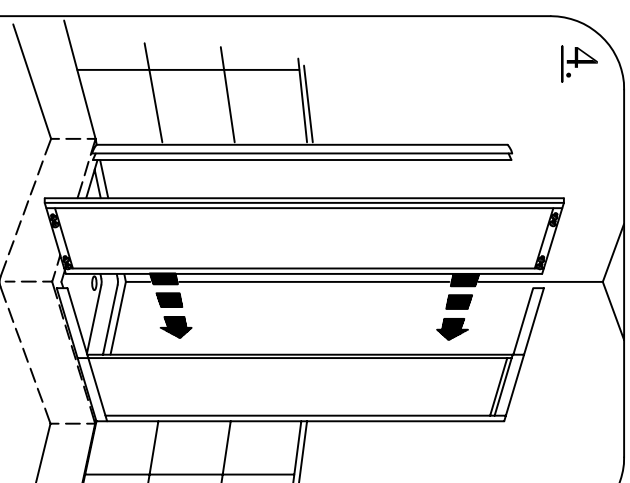
Fit wall plugs into holes. Fit wall profiles and position on top of tray. Secure and fit in place with screws.

3.



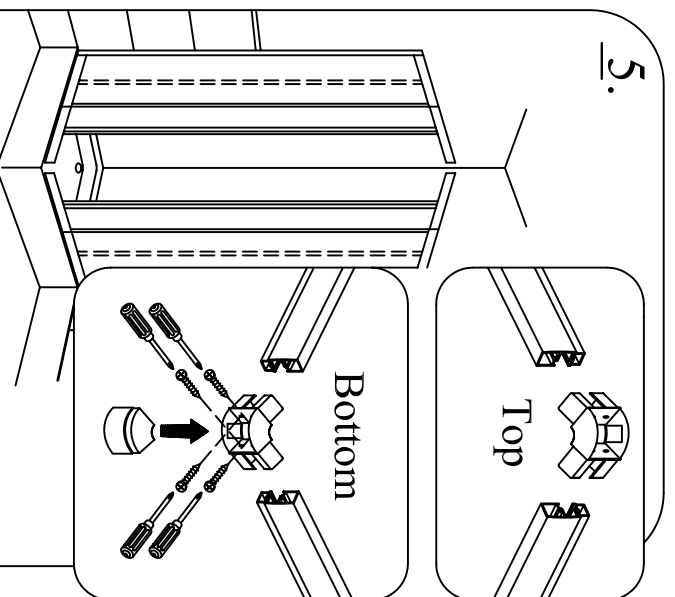
Slide fixed panel into the fixed wall profile - but DO NOT fix in place with screws. Continue to position the second panel in place - again NOT fixing with screws.

4.



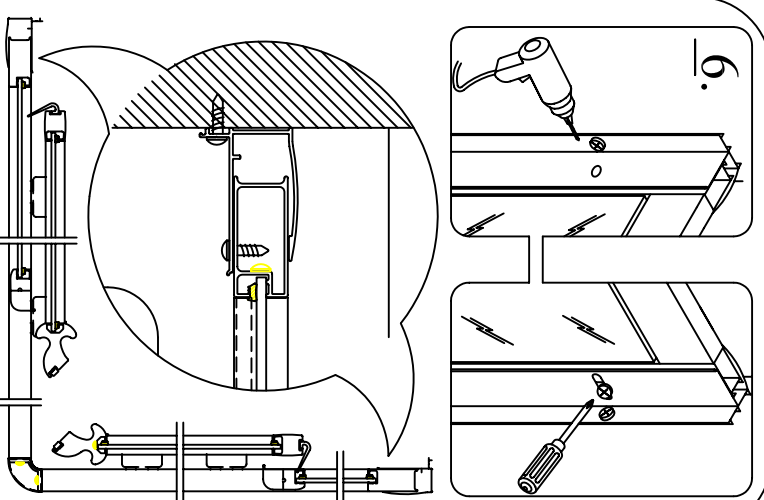
Continue to 'Slide' one door onto the tracks in the fixed panels horizontal profile - ensuring all wheels are on the track correctly. Repeat process for second door.

5.



Take the two plastic corner blocks and insert into the end of the horizontal profiles - both top and bottom. Secure with screws provided. Continue to snap the two covers on - concealing the screws - as shown above.

6.



Position (side) door equally between both wall profiles. The door MUST be square within the frame, this can be achieved with adjustment in the wall profile. Continue to drill through the hole and fix with screws - as above.